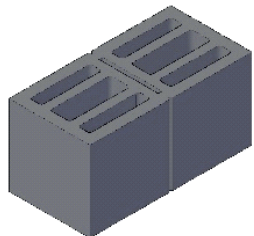
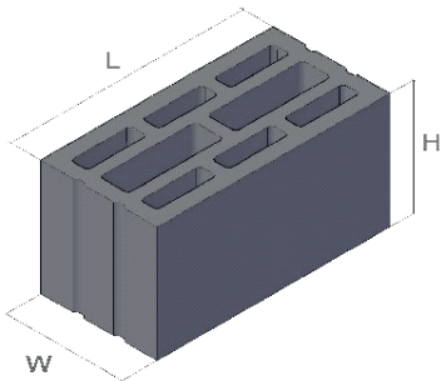


Dimension in cm (W x H x L)	Weights in kg for Different Concrete Densities (kg/m ³)				
	2,200 (regular)	1,400 (LW)	1,200 (LW)	1,000 (LW)	750 (LW)
8x20x40	9.7	6.2	5.3	4.4	3.3
10x20x40	10.6	6.7	5.8	4.8	3.6
12x20x40	13.6	8.7	7.4	6.2	4.7
15x20x40	16.1	10.2	8.8	7.3	5.5
20x20x40	18.7	11.9	10.2	8.5	6.4

The above weights are for oven dried blocks. Sibline blocks comply with EN:771-3:2011 for non load bearing blocks category D1 and with ASTM C129 standards. As part of Sibline continuous improvement process, the above mentioned shapes, dimensions and weights might be changed without prior notice. They can be used for pre-dimensioning only. Please contact us for further information. Other shapes and dimensions are available upon request. Please contact us for further information. Density 2200 kg/m³ is also available with "fair face" finish (no need to plaster the walls).



The above 3-D views are indicative and not contractual.



Sibline | Lightweight Construction Solutions

Factory: Sibline main road, Shouf, Lebanon
 T: +961 7 973111/222, F: +961 7 973444
 lw@siblineb.com, www.siblineb.com

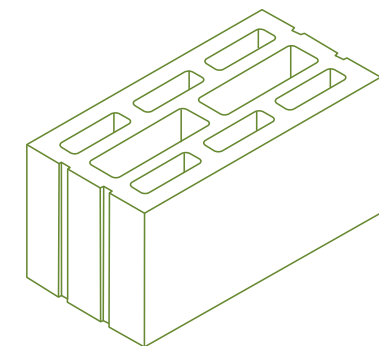


Dimens de Sibline S.A.L.
 Sibline Lightweight Blocks
 Factory, Chouf, Lebanon
 EN 771-3:2011
 category D1
 2019



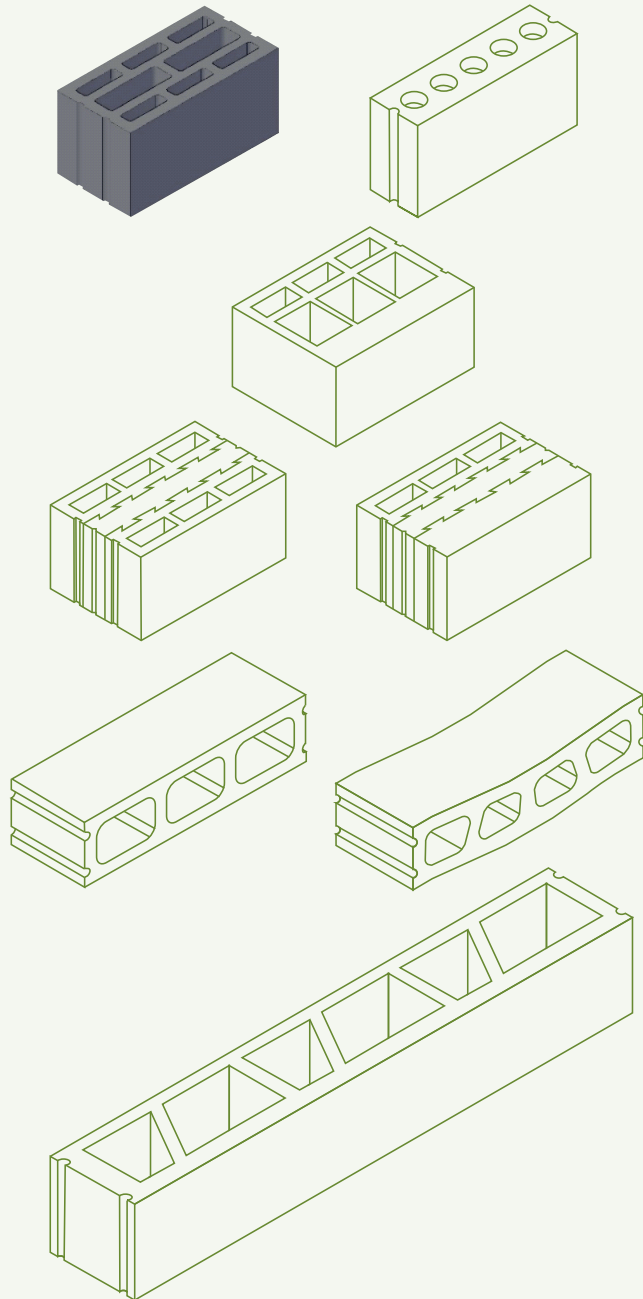
LIGHTWEIGHT & NORMAL WEIGHT HOLLOW BLOCKS

Sibline offers a comprehensive range of Lightweight and Normal weight concrete blocks made in particular shapes with a special Mix Design containing sand, cement, lightweight aggregates, chemical additives and materials including fire retardant, non toxic EPS beads, intended for construction of walls for residential, commercial and industrial sector.



version 1.1

BLOCK TYPES



ADVANTAGES



Light Weight



Strong



Reducing Dead Load



Environmentally Friendly



High Thermal Insulation



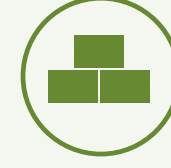
Fire Rated



Very Low Water Penetration



Internal and External Use



Exceptional Workability



Cost Efficient



Easy to Handle



Sound Proof