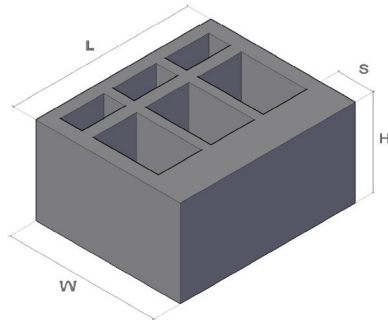


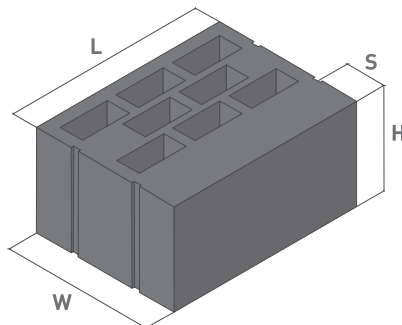
| Dimension in cm (W x H x L) | S | Weights in kg for Different Concrete Densities (kg/m3) | | | | |
|-----------------------------|---|--|------------|------------|------------|----------|
| | | 2,200 (regular) | 1,400 (LW) | 1,200 (LW) | 1,000 (LW) | 750 (LW) |
| 25x20x40 | 8 | 30.4 | 19.3 | 16.6 | 13.8 | 10.4 |
| 30x20x40 | 8 | - | 21.1 | 18.1 | 15.1 | 11.3 |
| 33x20x40 | 8 | - | 23.5 | 20.2 | 16.8 | 12.6 |



The above 3-D views are indicative and not contractual.

| Dimension in cm (W x H x L) | S | Weights in kg for Different Concrete Densities (kg/m3) | | | | |
|-----------------------------|---|--|------------|------------|------------|----------|
| | | 2,200 (regular) | 1,400 (LW) | 1,200 (LW) | 1,000 (LW) | 750 (LW) |
| 30x20x40 | 8 | - | 24.78 | 21.2 | 17.7 | 13.3 |

The above weights are for oven dried blocks. Sibline blocks comply with EN:771-3:2011 for non load bearing blocks category D1 and with ASTM C129 standards. As part of Sibline continuous improvement process, the above mentioned shapes, dimensions and weights might be changed without prior notice. They can be used for pre-dimensioning only. Please contact us for further information. Other shapes and dimensions are available upon request. Please contact us for further information. Density 2200 kg/m³ is also available with "fair face" finish (no need to plaster the walls).



The above 3-D views are indicative and not contractual.



SIBLINE
LIGHTWEIGHT CONSTRUCTION SOLUTIONS



SIBLINE
LIGHTWEIGHT CONSTRUCTION SOLUTIONS

Sibline | Lightweight Construction Solutions

Factory: Sibline main road, Shouf, Lebanon
T: +961 7 973111/222, F: +961 7 973444
lw@siblineb.com, www.siblineb.com

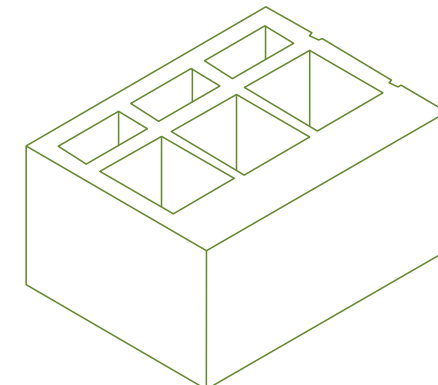


Conformé au Sibline S.A.L.C.
Sibline Lightweight Blocks
Factory, Chouf, Lebanon
EN 771-3:2011
category D1
2015



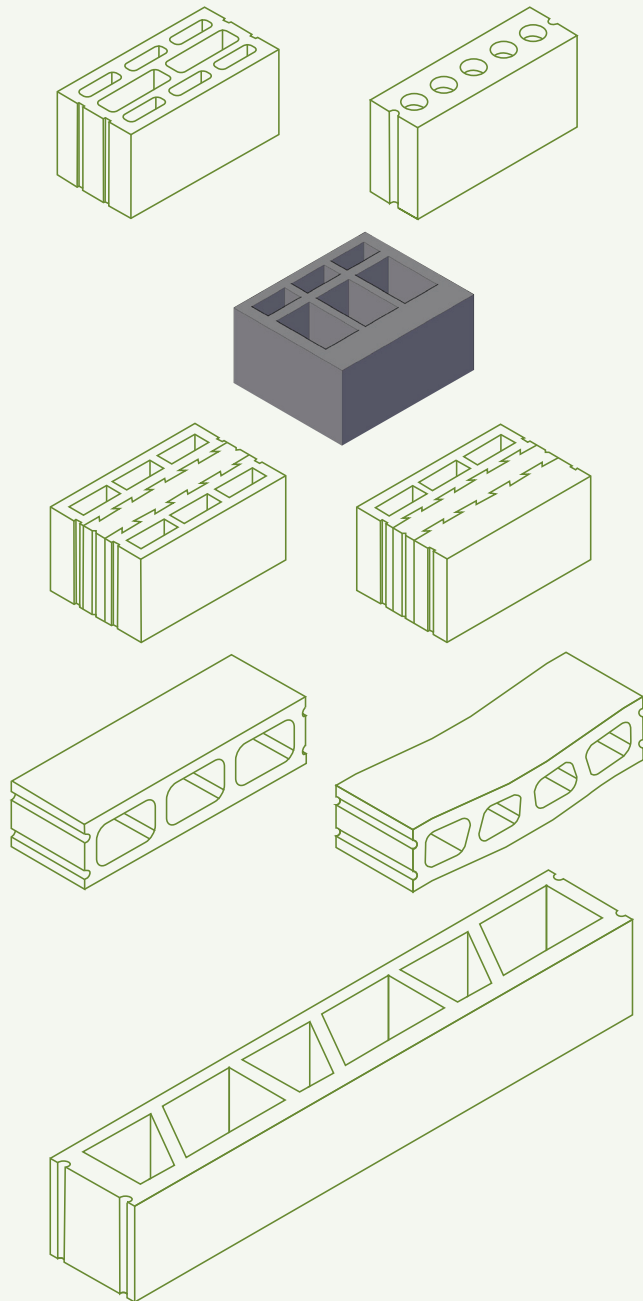
LIGHTWEIGHT & NORMAL WEIGHT SEMI HOLLOW BLOCKS

Sibline offers a comprehensive range of Lightweight and Normal weight concrete blocks made in particular shapes with a special Mix Design containing sand, cement, lightweight aggregates, chemical additives and materials including fire retardant, non toxic EPS beads, intended for construction of walls for residential, commercial and industrial sector.



version 1.1

BLOCK TYPES



ADVANTAGES



Light Weight



Strong



Reducing Dead Load



Environmentally Friendly



High Thermal Insulation



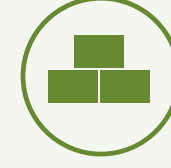
Fire Rated



Very Low Water Penetration



Internal and External Use



Exceptional Workability



Cost Efficient



Easy to Handle



Sound Proof